

## Product Approval Sheet

### 产品规格承认书

- 产品描述: 变频微波炉电源
- Product Description: Industrial Microwave Equipment Inverter
- 产品代码: WepeX 2000SX
- Product Part Code: WepeX 2000SX
- 产品应用: 工业微波加热、干燥设备
- Application: Industrial Heater, Dryness Equipment

研发确认 RD APPROVED		客户确认 CUSTOMER APPROVED
Prepared by 编写	李文涛	
Checked by 审核	常明亮	
Approved by 批准	官继红	

深圳麦格米特电气股份有限公司

**SHENZHEN MEGMEET ELECTRICAL TECHNOLOGY CO., LTD**

地址: 深圳市南山区科技园北区朗山路紫光信息港 5 层

Add: 5<sup>th</sup> floor, Block B, Zi Guang information harbor, Langshan Road, Shenzhen, China

Tel: +86 0755-8660 0500

Fax: +86 0755-8660 0999

E-mail: [megmeet@megmeet.com](mailto:megmeet@megmeet.com)

Website: <http://www.megmeet.com>

版权属于麦格米特, 禁止任何未经授权的使用

The copyright belongs to Megmeet. Any unauthorized use is prohibited.

Revision History

修订履历

Revision 版本/次	Change Item ( 修改项次)	Date (修改日期)
1.0	Initial Release (初版发行)	2022-02-28

## Content 目录

1.	Electrical Specification(电气规格).....	4
1.1	Input Electrical Characteristics (输入特性) .....	4
1.2	Output Electrical Characteristics (输出特性) .....	4
2.	Power On Sequence (上电时序).....	5
3.	Reliability (可靠性) .....	6
4.	Isolation (绝缘性能) .....	6
4.1	Insulation Resistance (绝缘阻抗) .....	6
4.2	Dielectric Strength (绝缘耐压) .....	6
5.	Safety (安全规格) .....	6
6.	EMC (电磁兼容性) .....	6
6.1	ESD (静电抗扰度) .....	6
7.	WEEE/RoHS (环保指令) .....	7
8.	Environmental Requirement (工作环境) .....	7
8.1	Temperature (环境温度) .....	7
8.2	Humidity (环境湿度) .....	7
8.3	Altitude (海拔高度) .....	7
8.4	Cooling Method (冷却方式) .....	7
9.	Weight (重量) .....	7
10.	Assembly (安装) .....	8
11.	Cautions (注意事项) .....	10

## 1. Electrical Specification (电气规格)

### 1.1. Input Electrical Characteristics (输入特性)

Input voltage range 输入电压	190Vac -- 264Vac
Normal voltage range 标称输入	200Vac -- 240Vac
Frequency range 频率范围	47Hz--63Hz
Max input ac current 最大输入电流	10A max. at full load condition
Leakage Current 泄漏电流	Less Than 0.5mA, @ 240Vac input
Input power 输入功率 (220VAC)	300W-1350W (default input) -2000W
Control mode 控制方式	fixed 固定 analog 模拟 digital 数字 communication 通讯
Max. endure input voltage 最大输入电压	300Vac (电源不能损坏 No damage)

### 1.2. Output Electrical Characteristics (输出特性)

#### 1.2.1. Rated Output Voltage & Current (额定输出电压电流)

Output Anode HV range 阳极高压范围	3500V -- 4200V typ.-- 4400V
Anode Output Current range 阳极输出电流范围	100mA-- 300mA typ. -- 500mA
Filament Voltage range 灯丝电压范围	3V -- 3.3V typ.--3.5V
Filament Current range 灯丝电流范围	8A-- 9A typ. -- 10A

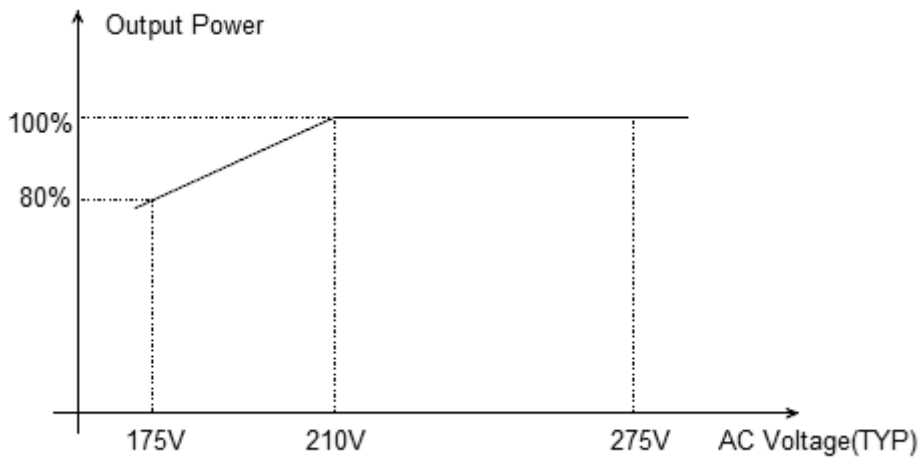
Note: This power supply is applied for general using industrial magnetron. (Special application please consult the supplier.)本产品适用于通用工业磁控管(包括通用工业水冷/风冷/变频及非变频管,特殊应用请咨询厂家)

#### 1.2.2. Protection (保护功能)

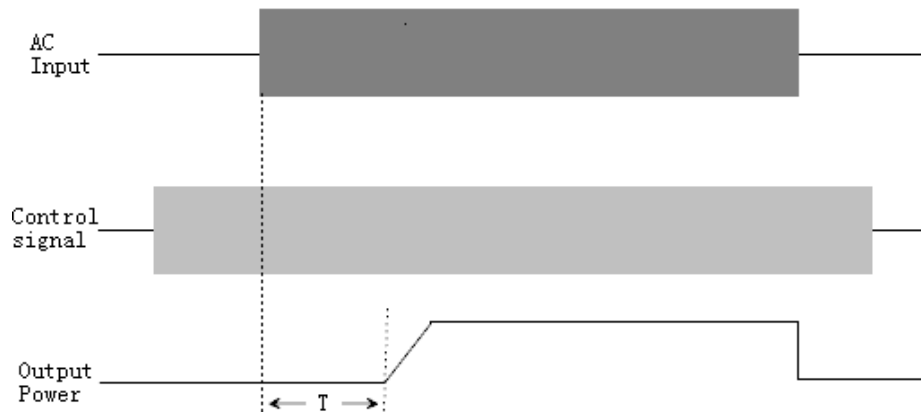
AC RMS OVP 交流有效值过压保护	300 Vac
-------------------------	---------

AC RMS UVP 交流有效值欠压保护	175 Vac
AC OCP 输入过流保护	15 A
OTP 输入过温保护	85°C TYP 降功率 105°C TYP 过温保护
Arcing Protection 高压跳火保护	Y

**1.2.3. AC Voltage VS Output Power (输入电压与输出功率特性)**



**2. Power On Sequence (上电时序)**



Parameter (参数)	Function (功能)	Min.	Typ.	Max.	Unit
T	System Power on (系统上电时间)	1500	5000	10000	ms

Before wiring, you need to read "WepeX 2000SX 应用指南".

Before starting the high voltage, it is necessary to check the connection status and reliability of the high voltage circuit.

接线前务必仔细阅读《WepeX 2000SX 应用指南》。

启动高压前需要检查高压回路的连接状态及可靠性。

### 3. Reliability (可靠性)

**ON/OFF test:** After applying 15000 times on/off test, included on for 4 minutes and off for 2 minutes, total test period is 1500 hours, unit shall work normally.

**开关机测试:** 经过 15000 次开关机测试后, 产品应工作正常, 其中包括开机 4 分钟关机 2 分钟, 总测试时间为 1500 小时。

### 4. Isolation (绝缘性能)

#### 4.1. Insulation Resistance (绝缘阻抗)

The insulation resistance of 100Mohms shall be ensured at application 500VDC between AC line and earth for 1 minute.

测试电压 500VDC/1 分钟, 交流侧对地绝缘阻抗大于 100 兆欧。

#### 4.2. Dielectric Strength (绝缘耐压)

3000V AC between AC line and earth shall be withstood for 1minute.

交流侧对地耐压大于 3kVac 持续 1 分钟。

### 5. Safety (安全规格)

The power supply shall comply with the following criterion:

电源安全性满足下列标准:

GB4706.1/IEC60335

### 6. EMC (电磁兼容性)

The power supply shall comply with the following criterion:

电源电磁抗扰满足下列标准:

#### 6.1. ESD (静电抗扰度) 判据: B

GB17626.2-1998/IEC61000-4-2

Level 2

#### 6.2. EFT (脉冲群抗扰度) 判据: A

GB17626.4-1998/IEC61000-4-4

Level 4

**6.3. SURGE (雷击浪涌) 判据: B**

GB17626.5-1998/IEC61000-4-5

Level 2

**7. WEEE/RoHS (环保指令)**

产品符合 PAHs、RoHS、REACH 环保指令要求。

**8. Environmental Requirement (工作环境)****8.1. Temperature (环境温度)**

Operating 工作温度: -20°C -- 40°C.

Storage 存储温度: -40°C -- 85°C.

**8.2. Humidity (环境湿度)**

Operating 工作: From 10% -- 90% relative humidity (non-condensing). (非凝露条件下 10%-90% 湿度。)

Storage 存储: From 5 -- 95% relative humidity (non-condensing). (非凝露条件下 10%-90% 湿度。)

**8.3. Altitude (海拔高度)**

Operating 工作: -60 -- 3000 m (-60 米 到 3000 米)

The maximum temperature will decrease by 0.5°C for every 100m when altitude over 3000m.

3000m 为基础, 海拔每升高 100 m, 最高温度降低 0.5°C

Storage 存储: Up to 5000 meters (最高 5000 米)

**8.4. Cooling Method (冷却方式)**

Water cooling 水冷

The water temperature is below 25° C, and the flow rate is above 3 liters/min.

水温 25°C 以下, 流量 3 升/分钟以上。

**9. Weight (重量)**

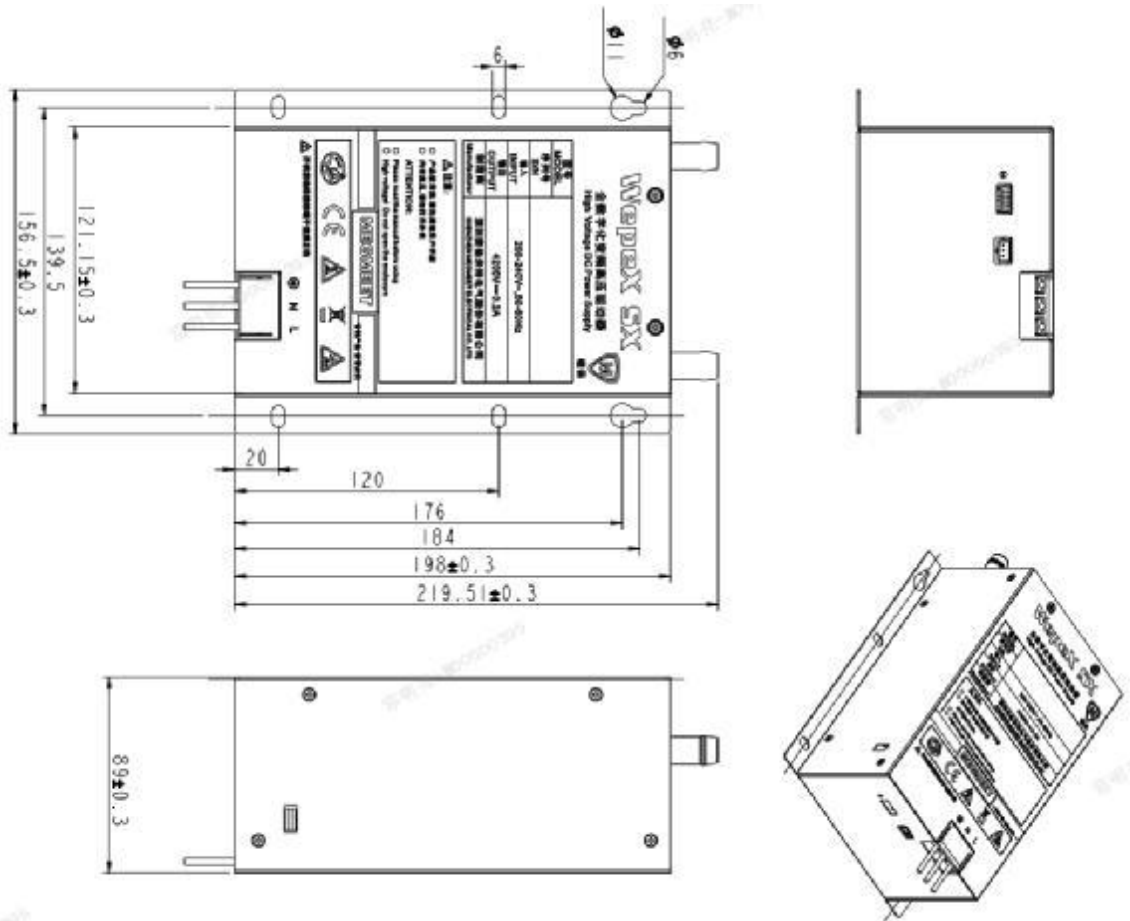
2450 g

**10. Assembly (安装要求)**

The mounting hole must be reliably grounded to prevent accidental electric shock.

安装孔务必可靠接地，防止意外造成电击。

**10.1. Dimension (安装尺寸) (单位: mm)**



**10.2. Filament wire 灯丝线**

Filament wire length 灯丝线长度 **1.65 m**

The length of the high voltage output line is the rated length. If the length needs to be changed, you must consult the manufacturer; otherwise, the magnetron may not be matched.

高压输出线长为额定长度,长度需变化时务必咨询厂商，否则可能无法匹配磁控管。



**10.3. interface specification 接口说明**

**10.3.1. input terminal 输入端子**

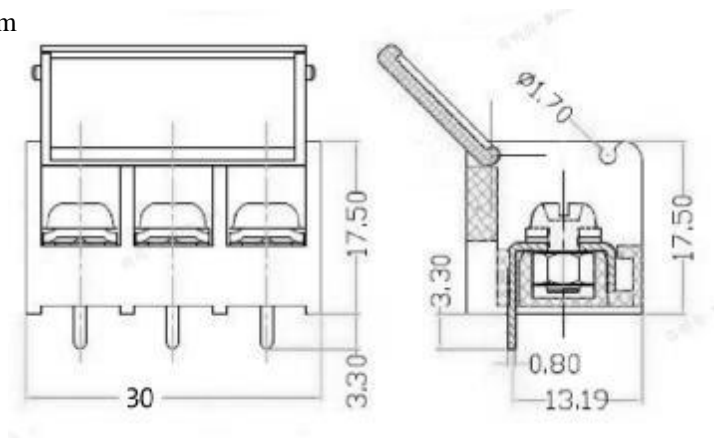
Wiring selection: 22 -- 12 AWG

S:Connecting the Magnetron Housing.

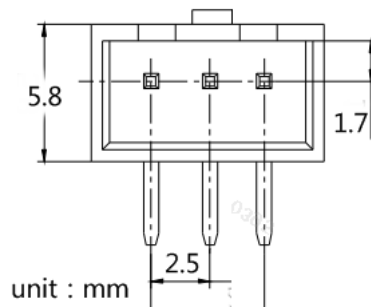
接线选型：22 -- 12 AWG

S：连接磁控管外壳。

Unit 单位：mm



**10.3.2.Communication Interface 通讯端子**



**10.3.3.拨码开关描述**



## 11. Cautions (注意事项)

### 11.1. Reliable grounding 可靠接地

The holes on the case edge are only used for earth ground connection, MUST connect them to earth ground directly.

安装孔用做安装接地之用，与磁控管的外壳相连构成高压回路，同时应可靠连接于设备金属外壳上且外壳应连接于保护地线。

### 11.2. High Voltage Warning 高压警告

More than 8KV high voltage inside the inverter, do not touch any components on the board before disconnect the inverter.

电源工作时可产生高达 8KV 的高压，未完全断电情况下切勿触碰电源板上或其它器件。

### 11.3. More information 更多信息

More detailed operation step, Please refer to the "WepeX 2000SX 应用指南".

更详细的操作步骤，请参考《WepeX 2000SX 应用指南》。